

FSFA10-67-XX-V

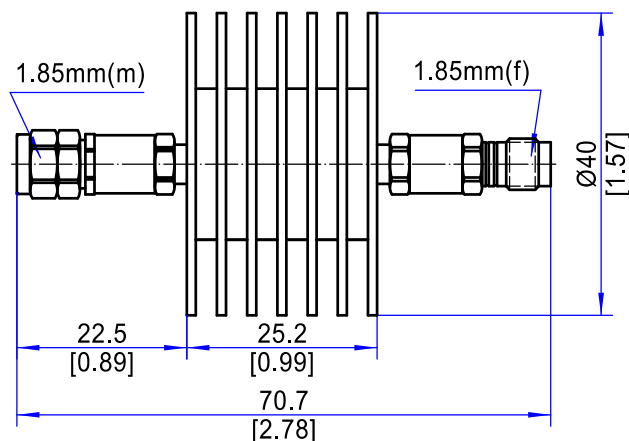
Fixed Attenuator, DC~67GHz, 10W, 1.85mm

Electrical Specifications				
1	Nominal Impedance	50 Ω		
2	Average Power ¹	10W @ 25°C		
3	Peak Power	50W (5 μ s pulse width, 5% duty cycle)		
4	Frequency Range	DC~67GHz		
5	VSWR	$\leq 1.45:1$		
6	Attenuation(dB)	10	20	30
7	Accuracy(dB)	-1.5/+2.0	-1.5/+2.0	-1.5/+2.0
Environmental Specifications				
1	Operating Temperature	-55°C~+125°C		
Mechanical Specifications				
1	Connectors	1.85mm(m) to 1.85mm(f)-Standard, Polarity Customizable		
2	Dimensions ²	$\Phi 40 \times 25.2$ mm [$\Phi 1.57 \times 0.99$ in]		
3	Weight	62g		

Note 1: Refer to the power derating curve for details.

Note 2: Excluding Connectors.

Outline Drawing (Units: mm/[inch], Tolerance: $\pm 2\%$)



Ordering Information:

Model: **FSFA10-67-XX-V**

XX = Attenuation Value in dB

Example: 10 dB → **FSFA10-67-10-V**