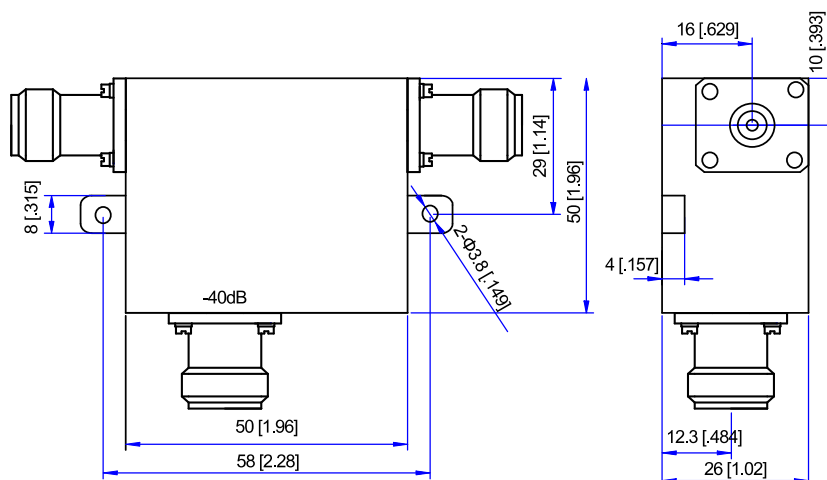


## FSDC200-400-2700-40-N

Single Directional Coupler, 200W,0.4-2.7GHz,40dB coupling, N(f)

Electrical Specifications		
1	Frequency Range	0.4-2.7 GHz
2	Impedance	50 Ω
3	Coupling	40±1.5 dB
4	Coupling Flatness	±1.2 dB
5	Insertion Loss	0.5 dB Max.
6	Main Line VSWR	1.50:1 Max.
7	Directivity	20 dB Min.
8	Power Handling	200 W CW
Environmental Specifications		
1	Operating Temperature	-55~+85°C
Mechanical Specifications		
1	Connectors	N-Female
2	Surface Finish	Conductive Oxide
3	Dimensions <sup>1</sup>	58*50*26mm [2.28*1.96*1.02in]

**Outline Drawing** (Units: mm/[inch], Tolerance: ±0.3mm [±0.01in])



### Ordering Information:

Model: **FSDC200-400-2700-40-N**

Note 1: Dimensions are nominal and exclude connectors.