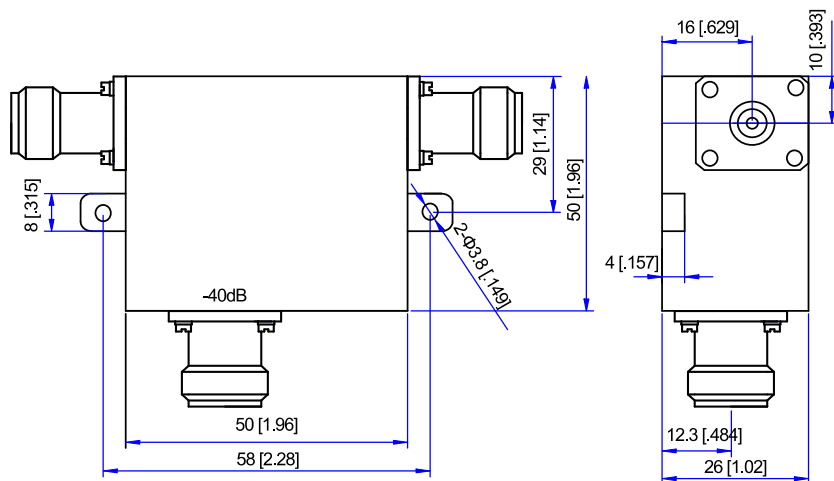


FSDC200-0.4-2.7-40-N

Single Directional Coupler, 200W, 400~2700MHz, 40dB coupling, N(f)

Electrical Specifications		
1	Frequency Range	400~2700MHz
2	Impedance	50 Ω
3	Coupling	40±1.5dB
4	Coupling Flatness	±1.2dB
5	Directivity	≥20dB
6	Insertion Loss	≤0.5dB
7	Main Line VSWR	≤1.50:1
8	Power Rating	200W
Environmental Specifications		
1	Operating Temperature	-55~+85°C
Mechanical Specifications		
1	Connectors	N-Female
2	Surface Finishing	Conductive Oxide
3	Dimensions ¹	58*50*26mm [2.28*1.96*1.02in]

Outline Drawing (Units: mm/[inch], Tolerance: ±0.3)



Note 1: Excluding Connectors