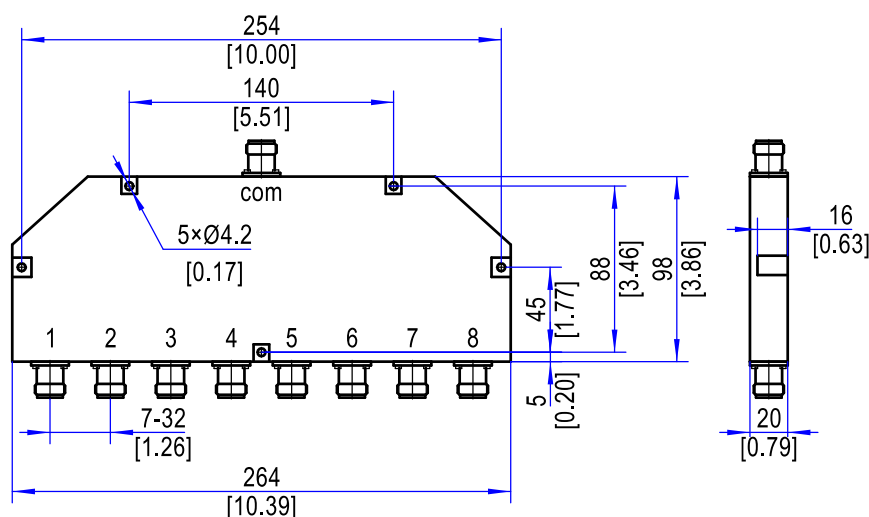


FS8PC33-420-450-N

8-Way Power Combiner, 33W, 420-450MHz, N(f)

Electrical Specifications		
1	Frequency Range	420-450MHz
2	Insertion Loss	≤1.2 dB (Excluding theoretical loss 9.03 dB)
3	Isolation	20dB min.
4	Input Port VSWR	≤1.2:1
5	Output Port VSWR	≤1.35:1
6	Phase vs Temperature variation	≤5°
7	Phase Balance	≤±3°
8	Amplitude Balance	≤±0.3dB
9	Average Power as Combiner	33W for each 8 ports 150W for com port (Design Assurance)
10	Peak Power as Combiner	130W for each 8 ports (DC: 20%, PW:1.25ms) 500W for com port (DC: 20%, PW:1.25ms)
11	Impedance	50Ω
Environmental Specifications		
1	Operating Temperature	-45°C~+70°C
Mechanical Specifications		
1	Connectors	N-Female
2	Outdoor Application	IP66
3	Protection against corrosion	Corrosion-resistant paint
4	Dimensions ¹	264*98*20mm[10.39*3.86*0.79in]

Outline Drawing (Units: mm/[inch], Tolerance: ±0.3mm)



Note 1: Excluding Connectors