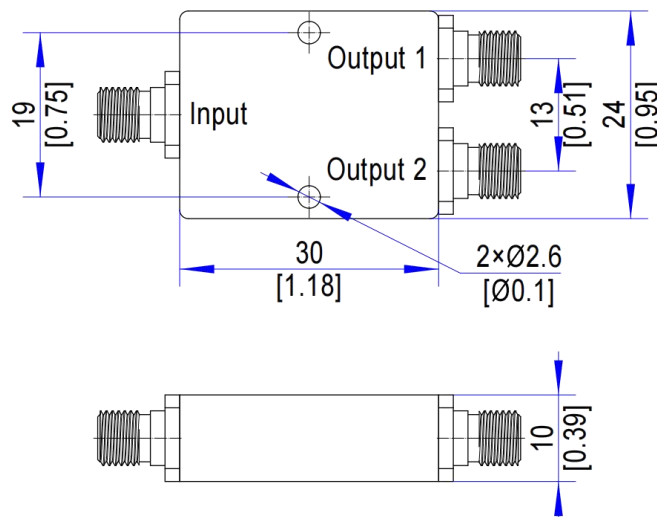


## FS2PD20-8000-12000-S

2-Way Power Divider, 20W, 8000~12000MHz, SMA(f)

Electrical Specifications		
1	Frequency Range	8000~12000 MHz
2	Insertion Loss	≤0.6 dB (Excluding theoretical loss 3.01 dB)
3	Input Port VSWR	≤1.3:1
4	Output Port VSWR	≤1.2:1
5	Isolation	≥18 dB
6	Amplitude Balance	≤±0.2 dB
7	Phase Balance	≤±3°
8	Power	Forward Power 20W; Reverse Power 1W
9	Impedance	50Ω
Environmental Specifications		
1	Operating Temperature	-45°C~+85°C
Mechanical Specifications		
1	Connectors	SMA-Female
2	Surface Finishing	Black Paint
3	Dimensions <sup>1</sup>	30*24*10mm[1.18*0.95*0.39in]

**Outline Drawing** ( units: mm/[inch], Tolerance: ±0.3mm)



Note 1: Excluding Connectors